

# SCT-C

開縫型 / 夾緊式 / 撓性聯軸器

# SCTS-C

SLITTED / CLAMP TYPE / FLEXIBLE COUPLING



### 材質 | Material

SCT-C 系列-鋁合金 Aluminum alloy  
SCTS-C 系列-不銹鋼 Stainless steel

### 型號表示 | Product NO

**SCT-20C- $\phi 5 \times \phi 5$**

型號/Type

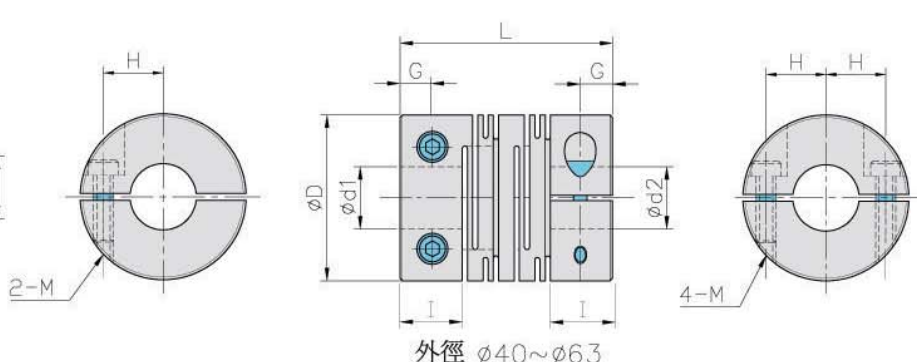
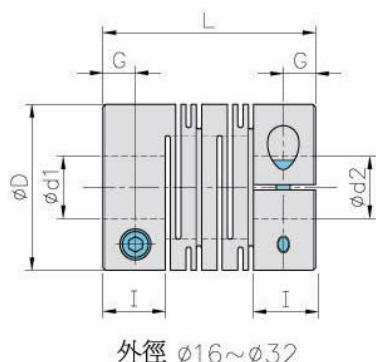
孔徑/Inside dia

### 表面處理 | Surface Treatment

SCT-C 陽極處理 Anodizing standard white

### 特性 | Features

- |                             |  |
|-----------------------------|--|
| 1. 一體成型                     | • One-body shape   |
| 2. 零背隙                      | • Zero backlash  |
| 3. 剛性大                      | • High rigid   |
| 4. 適合譯碼器、小馬力傳動機構、<br>高精密傳動上 | • Suitable for encoder、low horsepower<br>transmission bodies and high precision<br>transmission mechanism. |
| 5. 偏角誤差較佳                   | • High deflection  |
| 6. 不銹鋼材質扭力較佳                | • Torque in SUS is better  |
| 7. 固定方式：夾緊式                 | • Fixed mode : Clamp type  |



### 尺寸 | Dimension

單位 / Unit:mm

Catalog Number 型號	D	I	L	G	H	M	d1xd2 標準孔徑 (H7)		Mass** 重量 (g)
							Min	Max	
SCT-12C	12	5.0	18.5	2.5	4.0	M2	3	5	3.6
SCT-16C	16	6.5	23.0	3.25	5.0	M2.5	4	6	9.2
SCT-20C	20	7.5	26.0	3.75	6.5	M3	4	8	16.0
SCT-25C	25	8.5	31.0	4.25	9.0	M3	5	10	28.0
SCT-32C	32	12.0	41.0	6.0	11.0	M4	6	14	64.0
SCT-40C	40	15.0	56.0	8.5	14.0	M5	8	16	140.0
SCT-50C	50	18.0	71.0	10.5	18.0	M6	12	22	270.0
SCT-63C	63	22.0	90.0	13.0	24.0	M8	14	35	530.0
SCTS-12C	12	5.0	18.5	2.5	4.0	M2	3	5	10.0
SCTS-16C	16	6.5	23.0	3.25	5.0	M2.5	4	6	25.0
SCTS-20C	20	7.5	26.0	3.75	6.5	M3	5	8	43.0
SCTS-25C	25	8.5	31.0	4.25	9.0	M3	6	10	78.0
SCTS-32C	32	12.0	41.0	6.0	11.0	M4	8	14	170.0
SCTS-40C	40	15.0	56.0	8.5	14.0	M5	8	16	370.0
SCTS-50C	50	18.0	71.0	10.5	18.0	M6	12	22	750.0
SCTS-63C	63	22.0	90.0	13.0	24.0	M8	14	35	1400.0



**性能 | Specifications**

單位 / Unit:mm

Catalog Number 型號	Rated Torque 一般扭力 (N.m)	Max. Torque 最大扭力 (N.m)	Max Rotational Frequency 最高回轉速 (Rpm/min)	Moment* of Inertia 慣性 (Kg · m <sup>2</sup> )	Errors of Eccentricity 容許偏心 (mm)	Errors of Angularity 容許偏角 (°)	Errors of Shaft End-Play 容許軸向位差 (mm)
SCT-12C	0.2	0.4	12000	7.8x10 <sup>-8</sup>	0.10	2	±0.3
SCT-16C	0.3	0.6	9500	3.4x10 <sup>-7</sup>	0.10	2	±0.4
SCT-20C	0.5	1.0	7600	9.1x10 <sup>-7</sup>	0.10	2	±0.4
SCT-25C	1.0	2.0	6100	2.6x10 <sup>-6</sup>	0.15	2	±0.5
SCT-32C	2.0	4.0	4800	9.7x10 <sup>-6</sup>	0.15	2	±0.5
SCT-40C	5.0	10.0	3800	3.3x10 <sup>-5</sup>	0.20	2	±0.5
SCT-50C	10.0	20.0	3100	1.0x10 <sup>-4</sup>	0.20	2	±0.5
SCT-63C	20.0	40.0	2400	3.2x10 <sup>-4</sup>	0.20	2	±0.5
SCTS-12C	0.3	0.6	12000	2.2x10 <sup>-7</sup>	0.10	2	±0.2
SCTS-16C	0.5	1.0	9500	9.0x10 <sup>-7</sup>	0.10	2	±0.3
SCTS-20C	1.0	2.0	7600	2.5x10 <sup>-6</sup>	0.10	2	±0.3
SCTS-25C	2.0	4.0	6100	7.1x10 <sup>-6</sup>	0.15	2	±0.4
SCTS-32C	3.5	7.0	4800	2.7x10 <sup>-5</sup>	0.15	2	±0.5
SCTS-40C	8.0	16.0	3800	9.0x10 <sup>-5</sup>	0.20	2	±0.5
SCTS-50C	15.0	30.0	3100	2.8x10 <sup>-4</sup>	0.20	2	±0.5
SCTS-63C	35.0	70.0	2400	8.8x10 <sup>-4</sup>	0.20	2	±0.5

**SCT-C, SCTS-C 標準孔徑 | Stock Bores**

單位 / Unit:mm

Catalog Number 型號	Stock Bores 標準孔徑 d1xd2(公差H7)													
	2	3	4	5	6	6.35	8	9.525	10	12	14	15	16	18
SCT-12C		●	●	●										
SCTS-12C		●	●	●										
SCT-16C			●	●	●	●								
SCTS-16C			●	●	●	●								
SCT-20C			●	●	●	●	●							
SCTS-20C				●	●	●	●							
SCT-25C				●	●	●	●	●	●					
SCTS-25C					●	●	●	●	●					
SCT-32C							●		●	●	●			
SCTS-32C							●		●	●	●			
SCT-40C							●		●	●	●	●	●	
SCTS-40C							●		●	●	●	●	●	
SCT-50C										●	●	●	●	●
SCTS-50C										●	●	●	●	●
SCT-63C											●	●	●	●
SCTS-63C											●	●	●	●