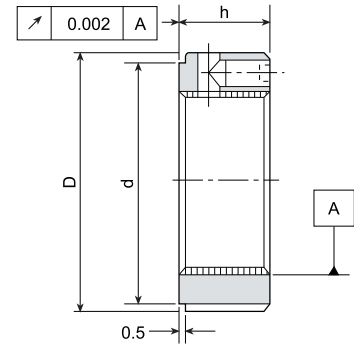
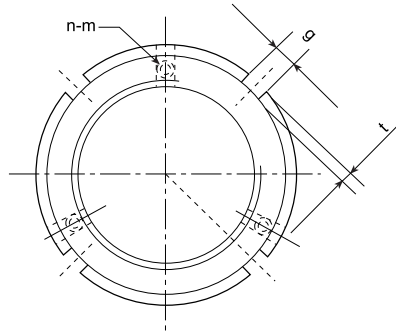
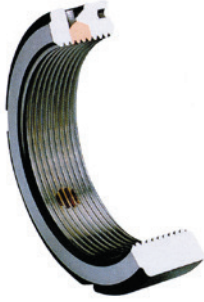


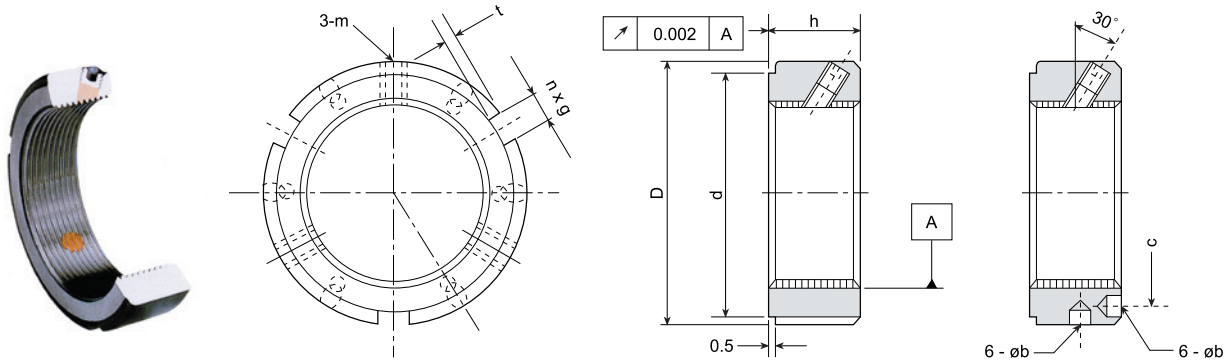
YSA 軸向鎖定



螺 牙 Thread	D	h	g	t	d	n - m	MAX.Nm
YSA M 17X1	32	16	4	2	27	2 - M4	3.5
YSA M 20X1	38				33	3 - M4	4.5
YSA M 20X1.5		33					
YSA M 25X1.5		33					
YSA M 30X1.5	45	18	5	2.5	40	3 - M6	8.0
YSA M 35X1.5	52				47		
YSA M 40X1.5	58	20	6		52		
YSA M 45X1.5	65				59		
YSA M 50X1.5	70	22	7	3	64	3 - M8	18.0
YSA M 55X2	75				68		
YSA M 60X2	80				73		
YSA M 65X2	85	24	8		78		
YSA M 70X2	92			84			
YSA M 75X2	98			90			
YSA M 80X2	105			96			
YSA M 85X2	110	26	10	4	102	3 - M10	35.0
YSA M 90X2	120				108		
YSA M 95X2	125				113		
YSA M 100X2	130	28	12		118		
YSA M 105X2	140			125			
YSA M 110X2	145			132			
YSA M 115X2	150	30	14	6	137	3 - M12	60.0
YSA M 120X2	155				142		
YSA M 125X2	160				147		
YSA M 130X2	165				152		
YSA M 135X2	175	32	16	7	160	3 - M12	60.0
YSA M 140X2	180				165		
YSA M 145X2	190				175		
YSA M 150X2	195	34	18		180		
YSA M 155X3	200			180			
YSA M 160X3	210			190			
YSA M 165X3	210	36	18	8	190	3 - M12	60.0
YSA M 170X3	220				200		
YSA M 180X3	230	38	18	8	205	3 - M12	60.0
YSA M 190X3	240				215		
YSA M 200X3	250				225		

Remarks:(1)The data are for reference only. (2)1 Nm=10.2kgf.cm=0.73lb.ft

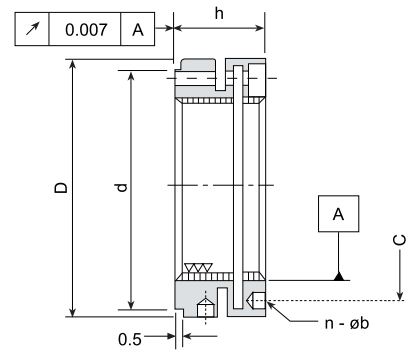
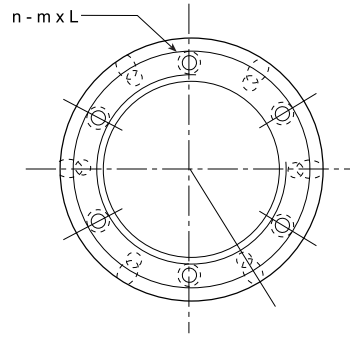
YSF 牙腹鎖定



螺 牙 Thread	D	h	d	n x g / b	t / c	m	MAX.Nm
YSF M 17X1	32	16	27	3 x 4 / -	2	M5	4.5
YSF M 20X1	38		33		2		
YSF M 20X1.5			33		2		
YSF M 25X1.5	45	18	33	3 x 5 / -	2	M6	8.0
YSF M 30X1.5			40		2		
YSF M 35X1.5			52		47		
YSF M 40X1.5	58	20	52	3 x 6 / -	2.5	M8	18.0
YSF M 45X1.5			65		2.5		
YSF M 50X1.5			70		2.5		
YSF M 55X2	75	22	68	3 x 7 / φ6	2.5	M8	18.0
YSF M 60X2	80		73				
YSF M 65X2	85		78				
YSF M 70X2	92	24	84	3 x 8 / φ7	3.5	M8	18.0
YSF M 75X2	98		90				
YSF M 80X2	105		96				
YSF M 85X2	110	26	102	6 x 8 / φ7	4	M10	35.0
YSF M 90X2	120		108				
YSF M 95X2	125		113				
YSF M 100X2	130	28	118	6 x 10 / φ7	4	M10	35.0
YSF M 105X2	140		125				
YSF M 110X2	145		132				
YSF M 115X2	150	30	137	6 x 12 / φ7	5	M10	35.0
YSF M 120X2	155		142				
YSF M 125X2	160		147				
YSF M 130X2	165	32	152	6 x 14 / φ8	6	M12	60.0
YSF M 135X2	175		160				
YSF M 140X2	180		165				
YSF M 145X2	190	34	175	6 x 16 / φ8	7	M12	60.0
YSF M 150X2	195		180				
YSF M 155X3	200		190				
YSF M 160X3	210	36	190	6 x 16 / φ8	7	M12	60.0
YSF M 165X3	210		200				
YSF M 170X3	220		205				
YSF M 180X3	230	38	215	6 x 16 / φ8	7	M12	60.0
YSF M 190X3	240		215				
YSF M 200X3	250		225				

Remarks:(1)The data are for reference only. (2)1 Nm=10.2kgf.cm=0.73lb.ft

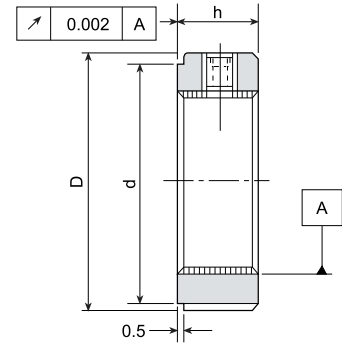
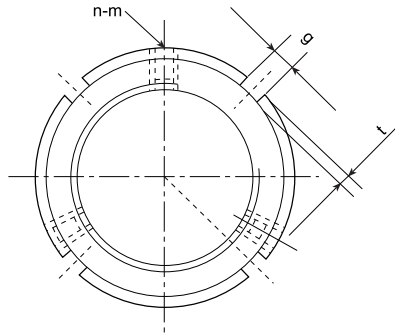
YSK 縮緊鎖定



螺 牙 Thread	D	h	g	n - m x L	n	b	c	MAX.Nm	
YSK M 16X1.5	34	18	29	4-M4 X 12	4	4	24	3.5	
YSK M 17X1	37		32				26		
YSK M 18X1.5	38		33				28		
YSK M 20X1	40		35				30		
YSK M 20X1.5			37				32		
YSK M 22X1.5			39				34		
YSK M 24X1.5	44		20				40		4-M4 X 14
YSK M 25X1.5	45	43		37					
YSK M 26X1.5	46	45		39					
YSK M 28X1.5	48	47		41					
YSK M 30X1.5	50	22	50	4-M4 X 16	6	44			
YSK M 32X1.5	53		53			47			
YSK M 35X1.5	56		55			49			
YSK M 38X1.5	58		25			63	6-M4 X 18		6
YSK M 40X1.5	60					65		57	
YSK M 42X1.5	68					66		58	
YSK M 45X1.5	69					68		60	
YSK M 48X1.5	70	26	71	6-M5 X 20	6	62			
YSK M 50X1.5	72		77			65			
YSK M 52X1.5	75		79			70			
YSK M 55X1.5	82		82			72			
YSK M 55X2	84	28	84	6-M6 X 22	6	7	75		
YSK M 58X1.5			87				77	80	
YSK M 60X1.5			88				89	82	
YSK M 60X2			93				91	84	
YSK M 62X1.5	95	32	94	6-M6 X 22	6	8	87		
YSK M 65X1.5	100		103				95		
YSK M 65X2	110		108				100		
YSK M 68X1.5	115		113				105		
YSK M 70X1.5	120	34	118	8-M6 X 25	8	10	110		
YSK M 70X2	125		123				115		
YSK M 72X1.5	130		128				120		
YSK M 75X1.5	135		133				125		
YSK M 75X2	140	36	137	8-M6 X 25	8	10	130		
YSK M 80X2	145		146				136		
YSK M 85X2	155		155				140		
YSK M 90X2	160		168				147		
YSK M 95X2	165	38	178	8-M6 X 25	8	10	160		
YSK M 100X2	180		190				170		
YSK M 105X2	180		190				178		
YSK M 110X2	190		200				170		
YSK M 115X2	190	40	200	8-M8 X 30	8	10	178		
YSK M 120X2	205		213				193		
YSK M 125X2	215		223				205		
YSK M 130X2	230		230				215		
YSK M 140X2	230	40	230	8-M8 X 30	8	10	223		
YSK M 150X2	240		230				223		
YSK M 160X3	245		230				223		
YSK M 170X3	245		230				223		
YSK M 180X3	245	40	230	8-M8 X 30	8	10	223		
YSK M 190X3	245		230				223		
YSK M 200X3	245		230				223		
YSK M 200X3	245		230				223		

Remarks:(1)The data are for reference only. (2)1 Nm=10.2kgf.cm=0.73lb.ft

YSR 徑向鎖定



螺 牙 Thread	D	h	g	t	d	n - m	MAX.Nm
YSR M 6X0.5	16	8	3	2	11	2 - M4	3.5
YSR M 8X0.75					13		
YSR M 10X0.75					16		
YSR M 10X1	20	10	4	2	21	2 - M5	4.5
YSR M 12X1					23		
YSR M 12X1.25	25	12	5	2.5	25	3 - M5	8.0
YSR M 14X1.5					27		
YSR M 15X1					30		
YSR M 16X1.5	28	14	6	3	33	3 - M6	18.0
YSR M 17X1					37		
YSR M 18X1.5					40		
YSR M 20X1	32	16	7	3.5	45	3 - M8	18.0
YSR M 20X1.5					47		
YSR M 22X1.5					49		
YSR M 24X1.5	38	18	8	4	52	3 - M8	18.0
YSR M 25X1.5					56		
YSR M 27X1.5					59		
YSR M 30X1.5	45	20	10	5	62	3 - M10	35.0
YSR M 33X1.5					64		
YSR M 35X1.5					66		
YSR M 36X1.5	55	22	12	5	68	3 - M10	35.0
YSR M 39X1.5					70		
YSR M 40X1.5					73		
YSR M 42X1.5	62	24	14	6	78	3 - M12	60.0
YSR M 45X1.5					84		
YSR M 48X1.5					86		
YSR M 50X1.5	70	26	14	6	90	3 - M12	60.0
YSR M 52X1.5					92		
YSR M 55X2					96		
YSR M 56X2	75	28	16	7	102	3 - M12	60.0
YSR M 60X2					108		
YSR M 64X2					113		
YSR M 65X2	85	30	18	8	118	3 - M12	60.0
YSR M 68X2					125		
YSR M 70X2					132		
YSR M 72X2	92	32	20	10	137	3 - M12	60.0
YSR M 75X2					142		
YSR M 76X2					147		
YSR M 80X2	105	34	22	12	152	3 - M12	60.0
YSR M 85X2					160		
YSR M 90X2					165		
YSR M 95X2	120	36	24	14	175	3 - M12	60.0
YSR M 100X2					180		
YSR M 105X2					180		
YSR M 110X2	145	38	26	14	190	3 - M12	60.0
YSR M 115X2					190		
YSR M 120X2					190		
YSR M 125X2	160	40	30	18	200	3 - M12	60.0
YSR M 130X2					205		
YSR M 135X2					215		
YSR M 140X2	180	42	32	18	225	3 - M12	60.0
YSR M 145X2					225		
YSR M 150X2					225		
YSR M 155X3	200	44	34	20	225	3 - M12	60.0
YSR M 160X3					225		
YSR M 165X3					225		
YSR M 170X3	210	46	36	22	225	3 - M12	60.0
YSR M 180X3					225		
YSR M 190X3					225		
YSR M 200X3	250	48	38	24	225	3 - M12	60.0
YSR M 200X3					225		
YSR M 200X3					225		

Remarks:(1)The data are for reference only. (2)1 Nm=10.2kgf.cm=0.73lb.ft